

**PRODUCT CODE: FCCP25**  
PVC FLEXIBLE CONDUIT

**DESCRIPTION**

25mm PVC Flexible Conduit - 10mtr Contractor Pack

**FINISH**

Black

**MATERIAL**

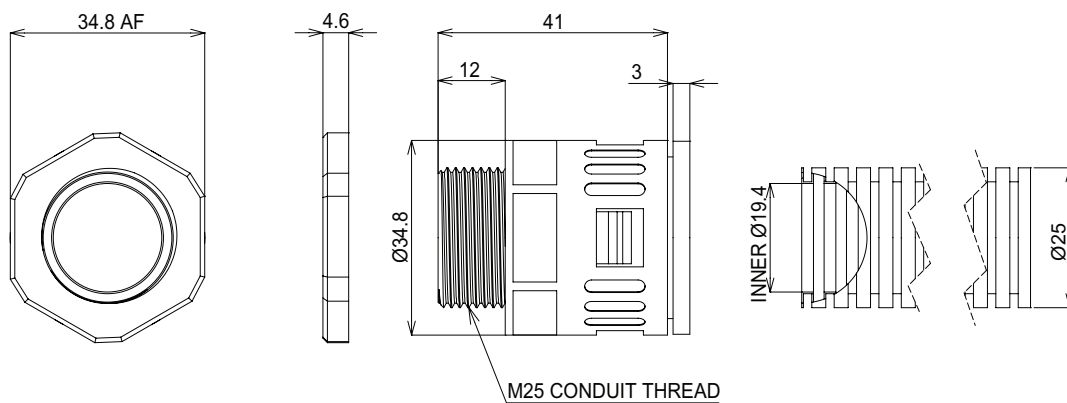
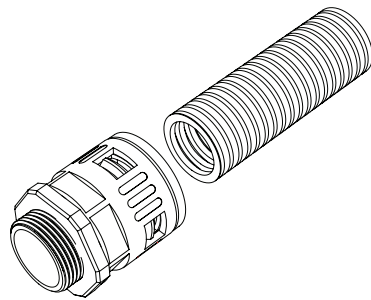
Self Extinguishing PVC

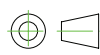
**PACKAGING**

Packed in qty 1

**ADDITIONAL NOTES**

IP40 Rated  
Pack consists; 1 x 10mtr coil of PVC flexible conduit,  
10 x 20mm PVC swivel adaptors  
Temperature Range: -15°C to +60°C  
Compression Class: 2 (320N)



 Values are nominal and with a general tolerance  $\pm 5\%$  unless otherwise specified